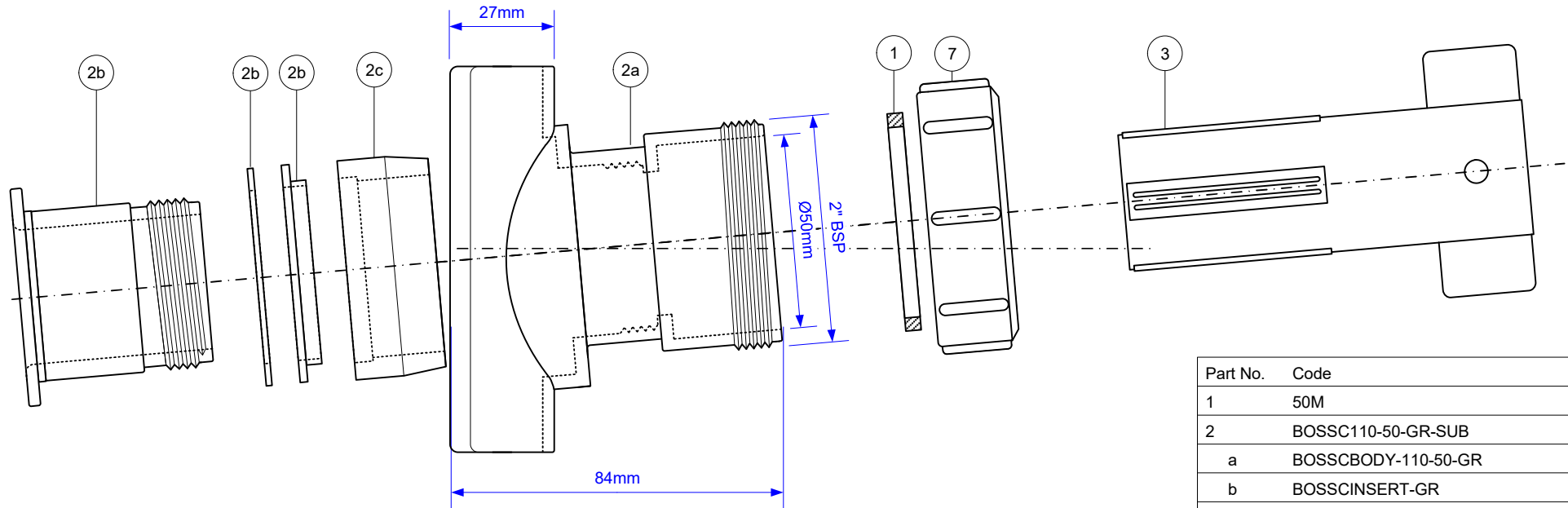


Code:

BOSSCONN110-50-GR



Part No.	Code
1	50M
2	BOSSC110-50-GR-SUB
a	BOSSCBODY-110-50-GR
b	BOSSCINSERT-GR
c	BOSSCSEAL-82/110
3	BOSSCSPANNER-GR
4	L-BOSSCONNXXX-XX-XX (Leaflet)
5	P-B-S200X270-MCA (Plastic Bag)
6	P-C-S1H (Carton)
7	Z8B-GREY

Drawing verified correct as of:

30/11/2023
RM

DRAWN BY

RM

SCALE

1: 1.5

REVISED

26/10/2011, 14/06/2012, 20/05/2014
04/11/2014, 08/09/2016, 21/12/2016
27/02/2023, 30/11/2023

FILENAME

BOSSCONN110-50-GR.VSD

DATE

30/11/2023