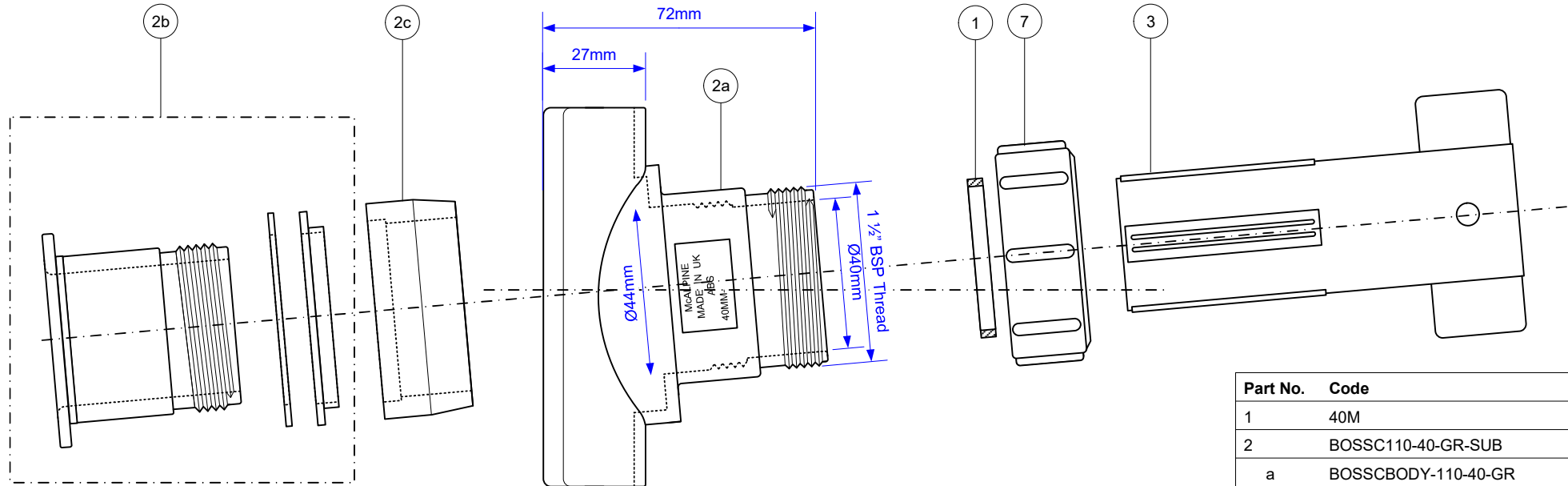


Code:

BOSSCONN110-40-GR



Part No.	Code
1	40M
2	BOSSC110-40-GR-SUB
a	BOSSCBODY-110-40-GR
b	BOSSCINSERT-GR
c	BOSSCSEAL-82/110
3	BOSSCSPANNER-GR
4	L-BOSSCONN-XXX-XX-XX (Leaflet)
5	P-B-S200X270-MCA (Plastic Bag)
6	P-C-P1H (Carton)
7	T8B-GREY

Drawing verified correct as of:

28/03/2024
RM

DRAWN BY

RM

SCALE

1: 1.5

REVISED

26/10/2011, 17/02/2012, 14/06/2012
20/05/2014, 04/11/2014, 05/12/2016
19/03/2019, 17/04/2023, 28/03/2024

FILENAME

BOSSCONN110-40-GR.VSD

DATE

28/03/2024