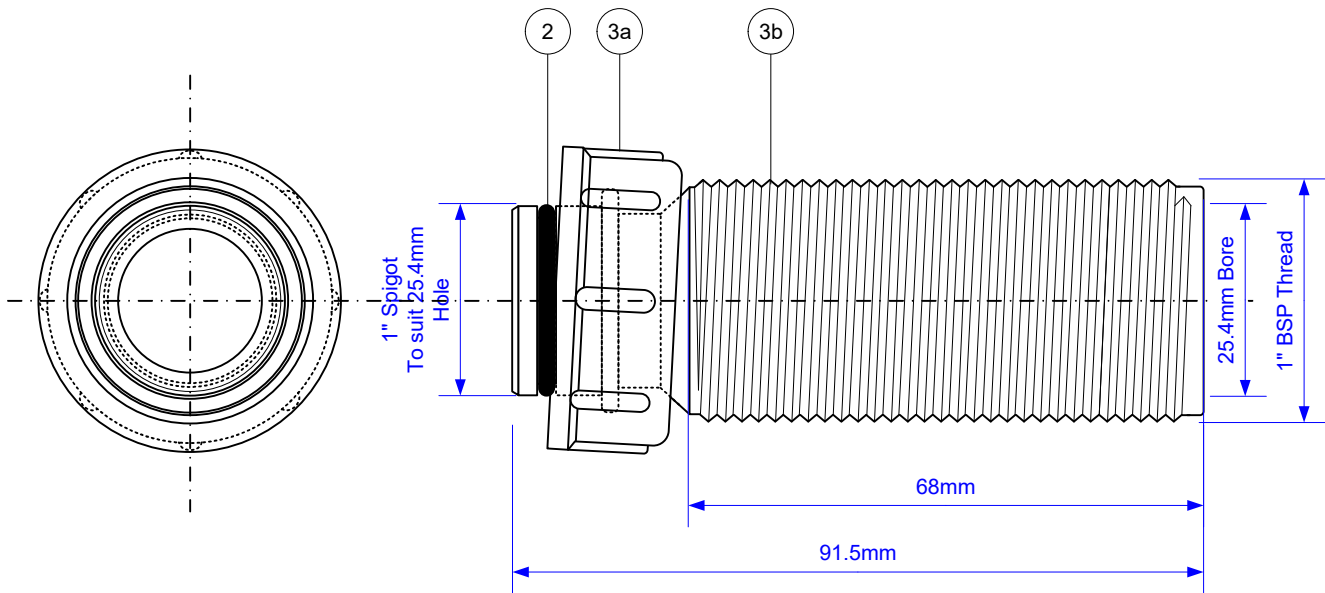


Code:

HCWMEXTA



Part No.	Code	Material
1	P-L-LGA-30MM	Label
2	P-OR-HCWMEXTA	Nitrile
3	WMTRAP-EXT+NUT	
a	NUT-1.00	Polypropylene
b	WMTRAP-EXT	Polypropylene

Drawing verified
correct as of:

02/04/2019
RM

DRAWN BY

RM

SCALE

1: 1

REVISED

14/04/2011, 06/06/2012
02/04/2019

FILENAME

HCWMEXTA.VSD

DATE

02/04/2019