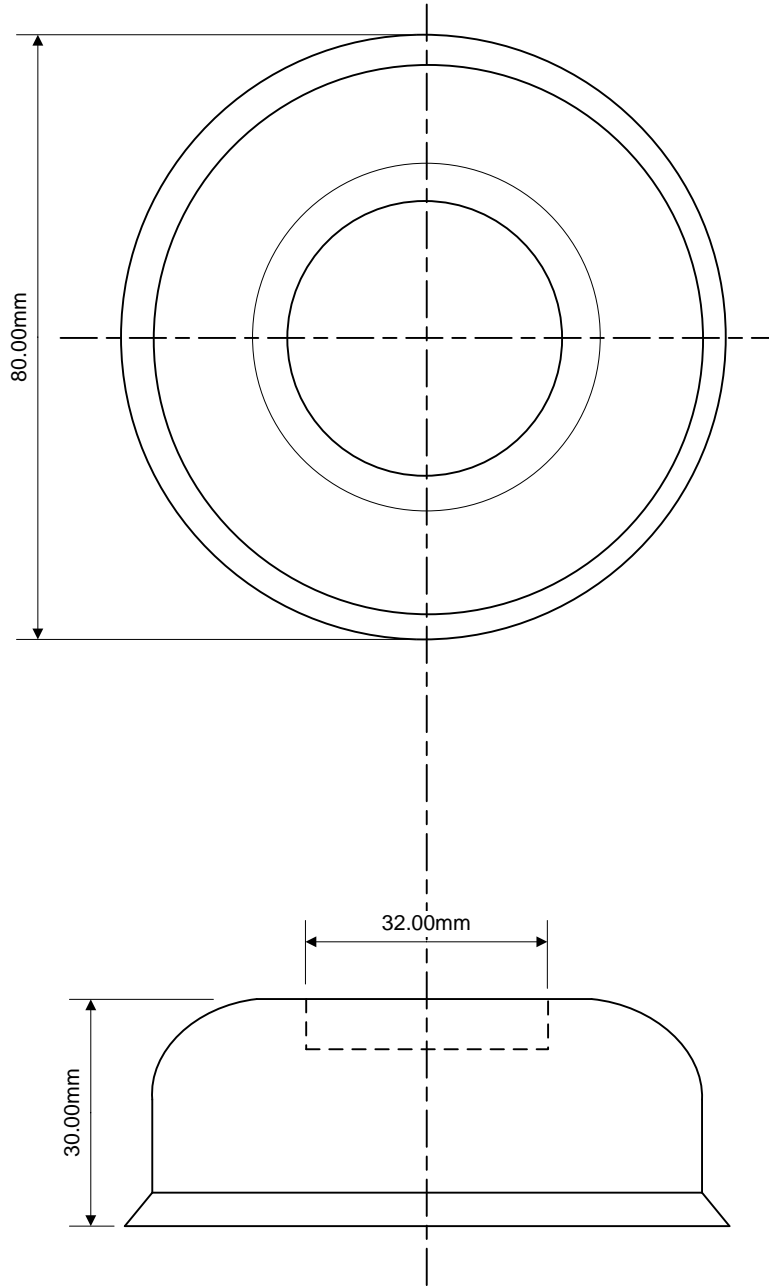


**Code:**

**T17-32MM**



©

McALPINE

Drawing verified  
correct as of:

07.10.11  
T.C.

DRAWN BY

TC

REVISED

SCALE

1: 1

FILENAME

T17-32MM.VSD

DATE

07.10.11