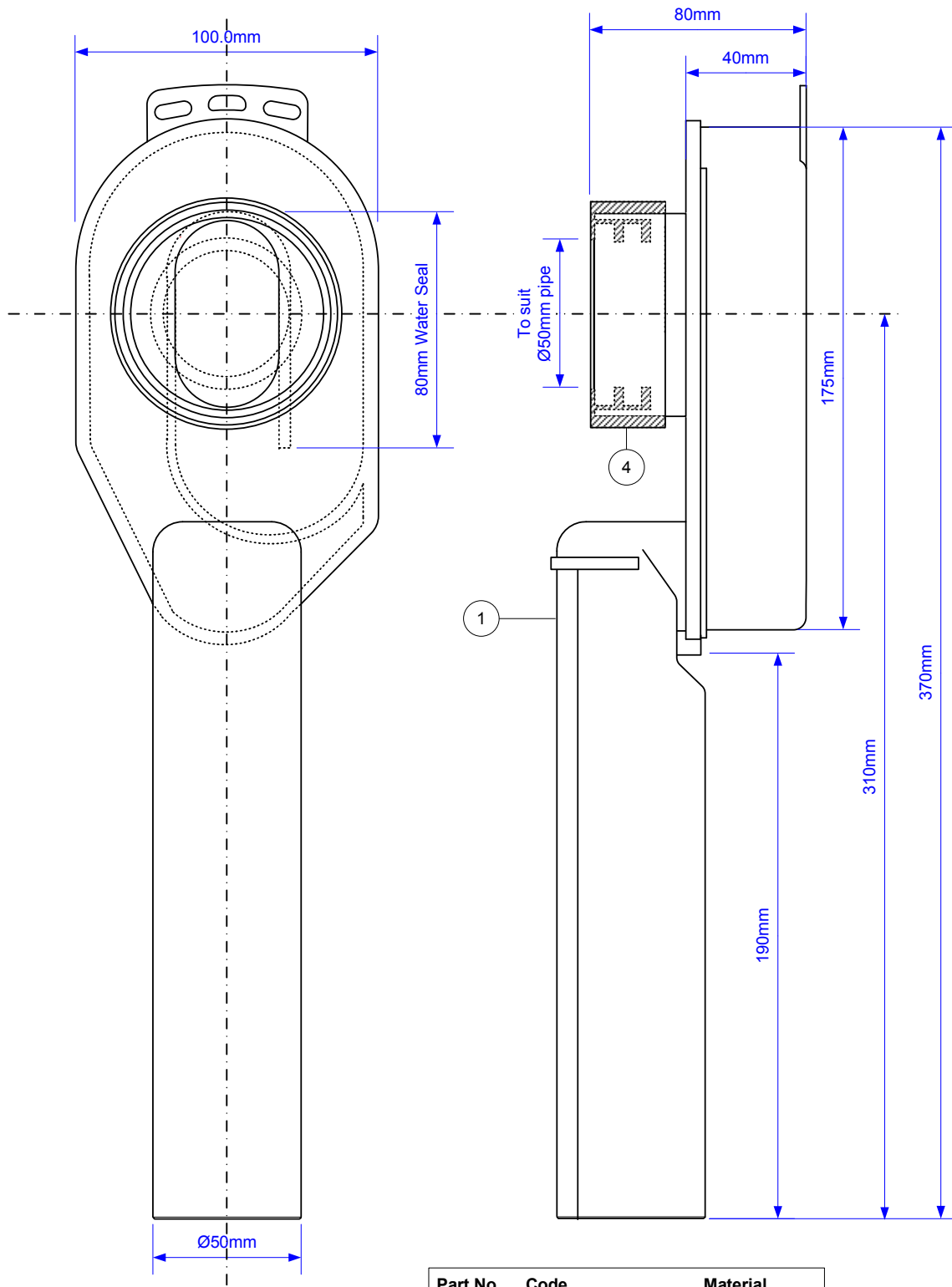


Code:

HC-US50



Part No.	Code	Material
1	HC-US50BODY	Polypropylene
2	P-B-S245X530HMC	Plastic Bag
3	P-C-S1H	Carton
4	P-RW-URINAL	Nitrile Rubber

© McALPINE
10/11/2006

Drawing verified
correct as of:

30/10/2014
RM

DRAWN BY

RM

REVISED

30/10/2014

FILENAME

HC-US50.VSD

SCALE

1: 2

DATE

30/10/2014