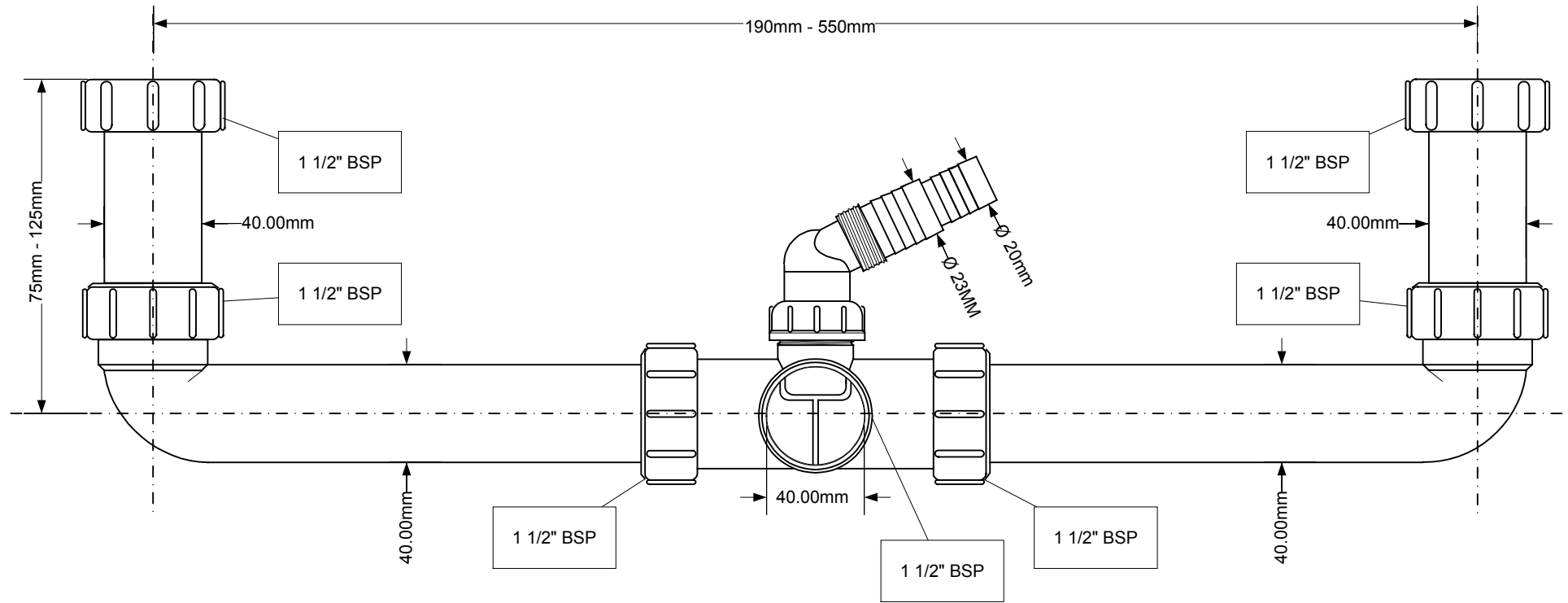


Code:

**HC11**

**Art. 0888 800 410**



©

McALPINE

Drawing verified correct as of:

04.09.09 T.C.

Rev: