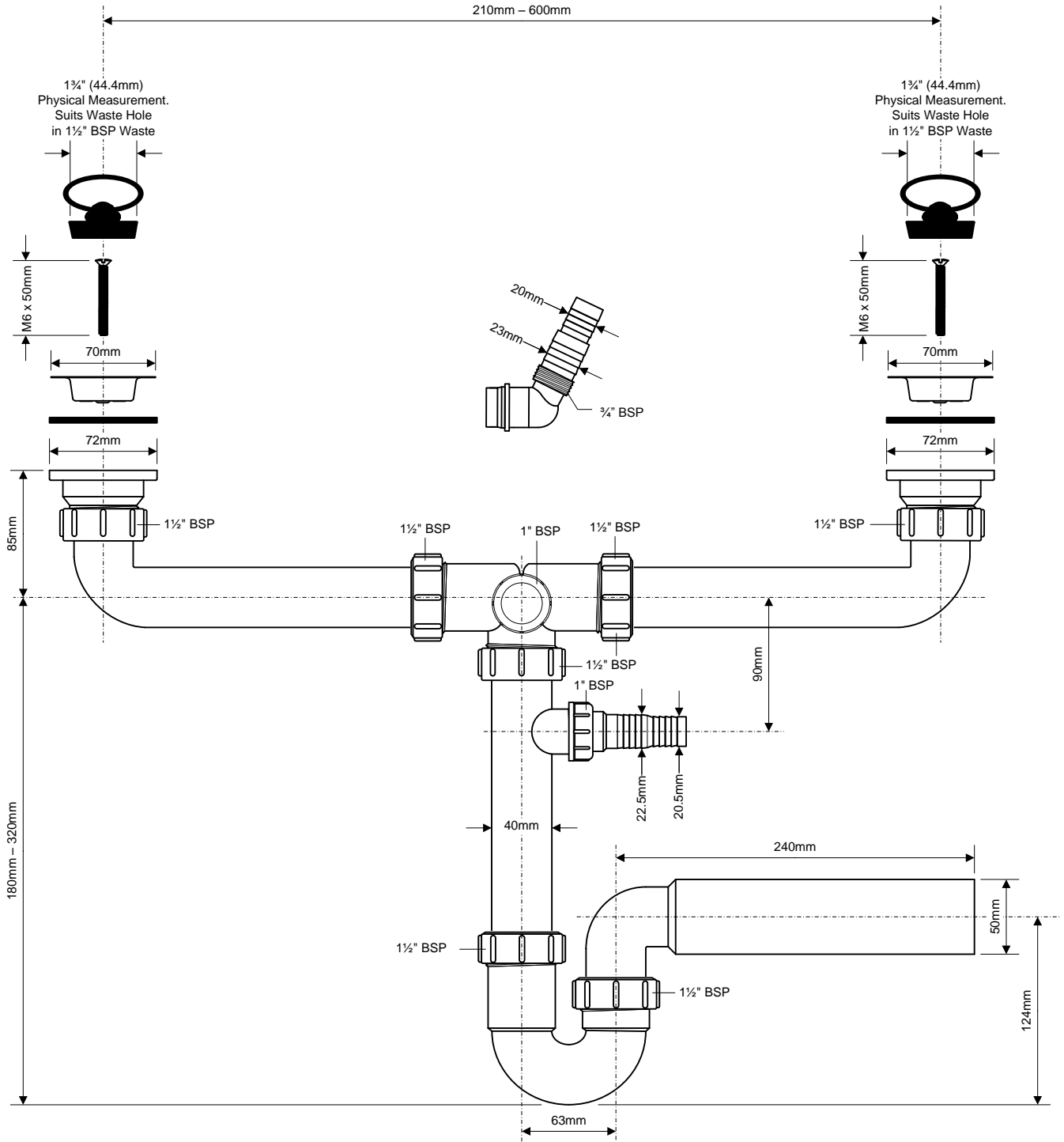


Code:

HC7HC10W



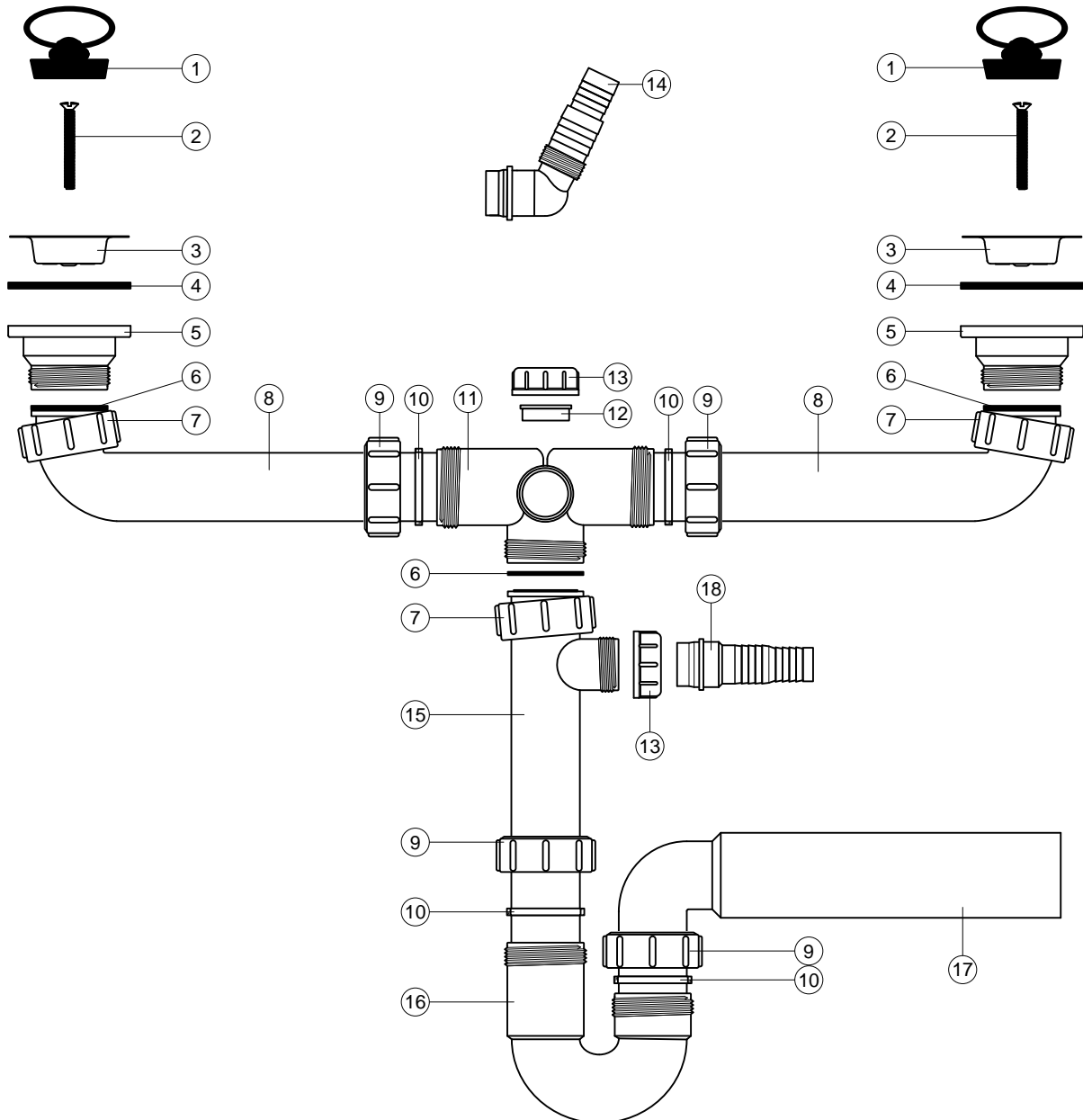
©
McALPINE

Drawing verified correct as of:	21.05.13 T.C.	DRAWN BY	TC	REVISED		FILENAME	HC7HC10W.VSD
				SCALE	1: 4	DATE	21.05.13

Code:

HC7HC10W

No.	Qty	Code	Material
1	2	BP4H	P.V.C.
2	2	P-CPIN-50MM	Stainless Steel
3	2	P-F-70P-BA	Stainless Steel
4	2	RWW6	Nitrile
5	2	226028	Polypropylene
6	3	RW2-ISO	Nitrile
7	3	T8A	Polypropylene
8	2	229618	Polypropylene
9	4	T8B	Polypropylene
10	4	40M	Nitrile
11	1	TEE-4WAY-UK	Polypropylene
12	1	UNDERLID	LDPE
13	2	NUT-1.00	Polypropylene
14	1	MA15BODY	Polypropylene
15	1	STALK-LONGW/M	Polypropylene
16	1	1.5-ADJ-THREAD	Polypropylene
17	1	222615	Polypropylene
18	1	222613	Polypropylene



©
McALPINE

Drawing verified
correct as of:

21.05.13
T.C.

DRAWN BY

TC

REVISED

SCALE

1:4

FILENAME

HC7HC10W.VSD

DATE

21.05.13