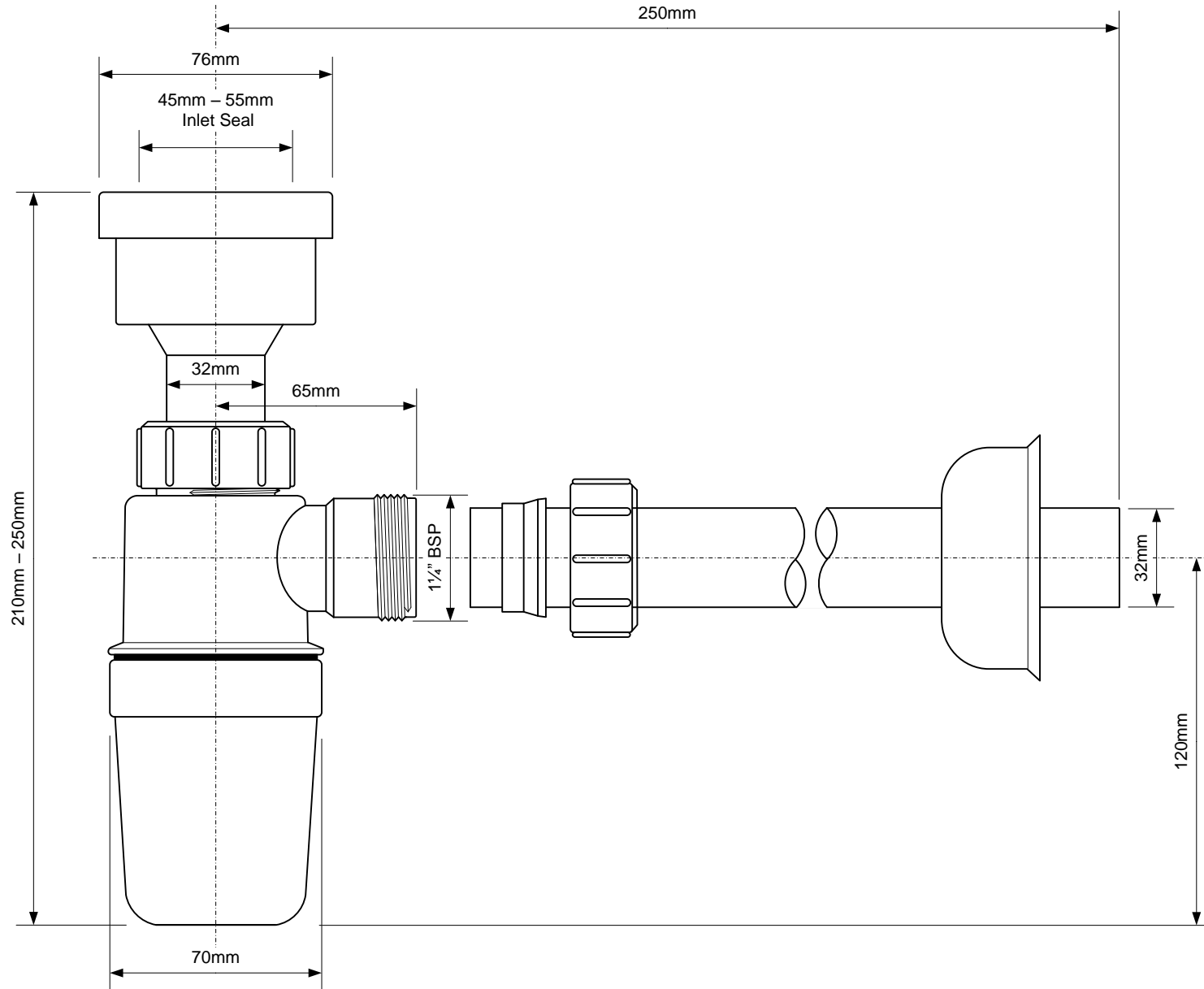


Code:

HC2P



McALPINE

Drawing verified correct as of:

30.09.14  
T.C.

DRAWN BY

TC

REVISED

1-Check sizes & add pg2 (TC 30.09.14)

FILENAME

HC2P.VSD

SCALE

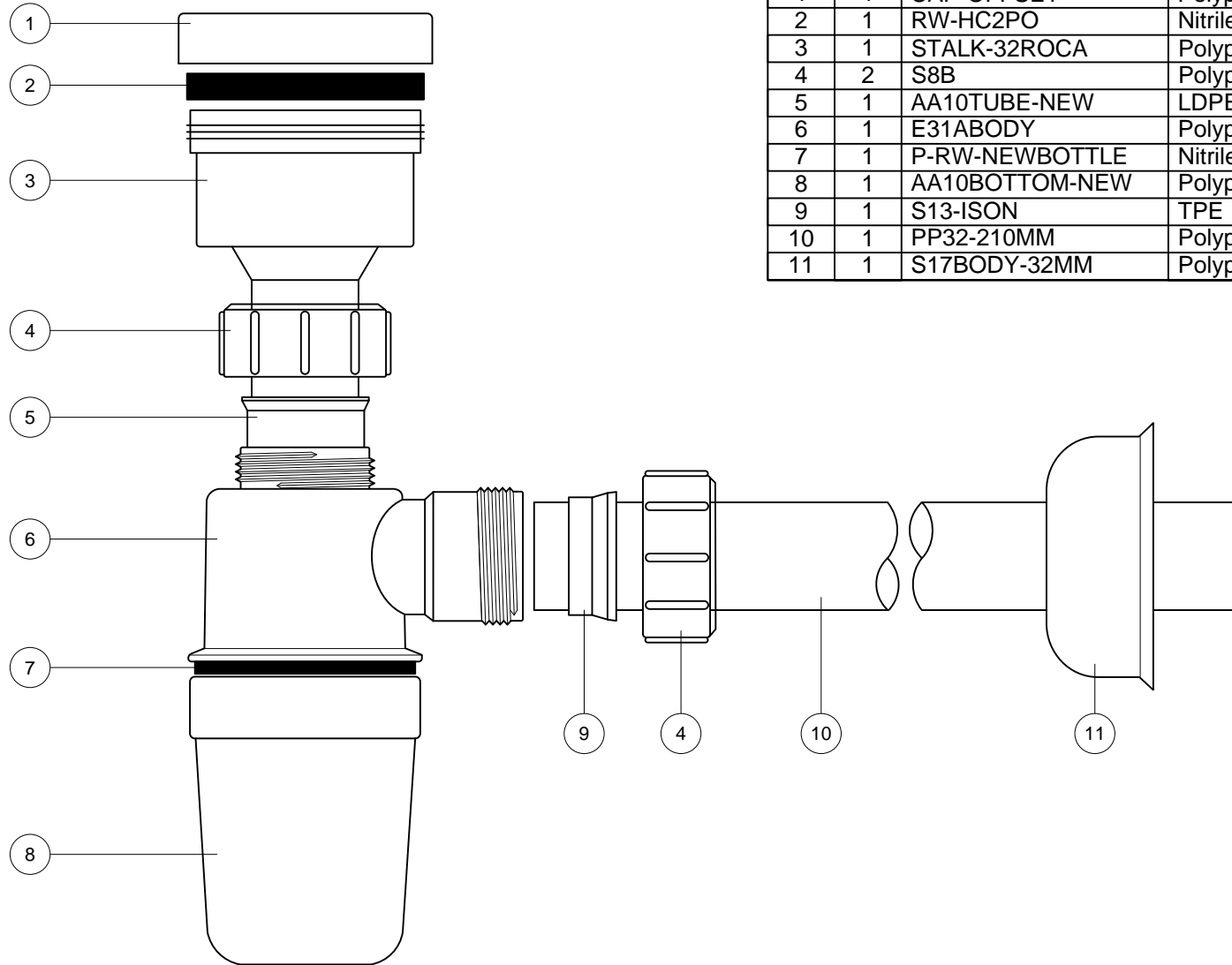
1:2

DATE

20.12.11

Code:

HC2P



No.	Qty	Code	Material
1	1	CAP-OFFSET	Polypropylene
2	1	RW-HC2PO	Nitrile
3	1	STALK-32ROCA	Polypropylene
4	2	S8B	Polypropylene
5	1	AA10TUBE-NEW	LDPE
6	1	E31ABODY	Polypropylene
7	1	P-RW-NEWBOTTLE	Nitrile
8	1	AA10BOTTOM-NEW	Polypropylene
9	1	S13-ISON	TPE
10	1	PP32-210MM	Polypropylene
11	1	S17BODY-32MM	Polypropylene

©

McALPINE

Drawing verified correct as of:

30.09.14  
T.C.

DRAWN BY

TC

SCALE

1: 2

REVISED

1-Check sizes & add pg2 (TC 30.09.14)

FILENAME

HC2P.VSD

DATE

20.12.11