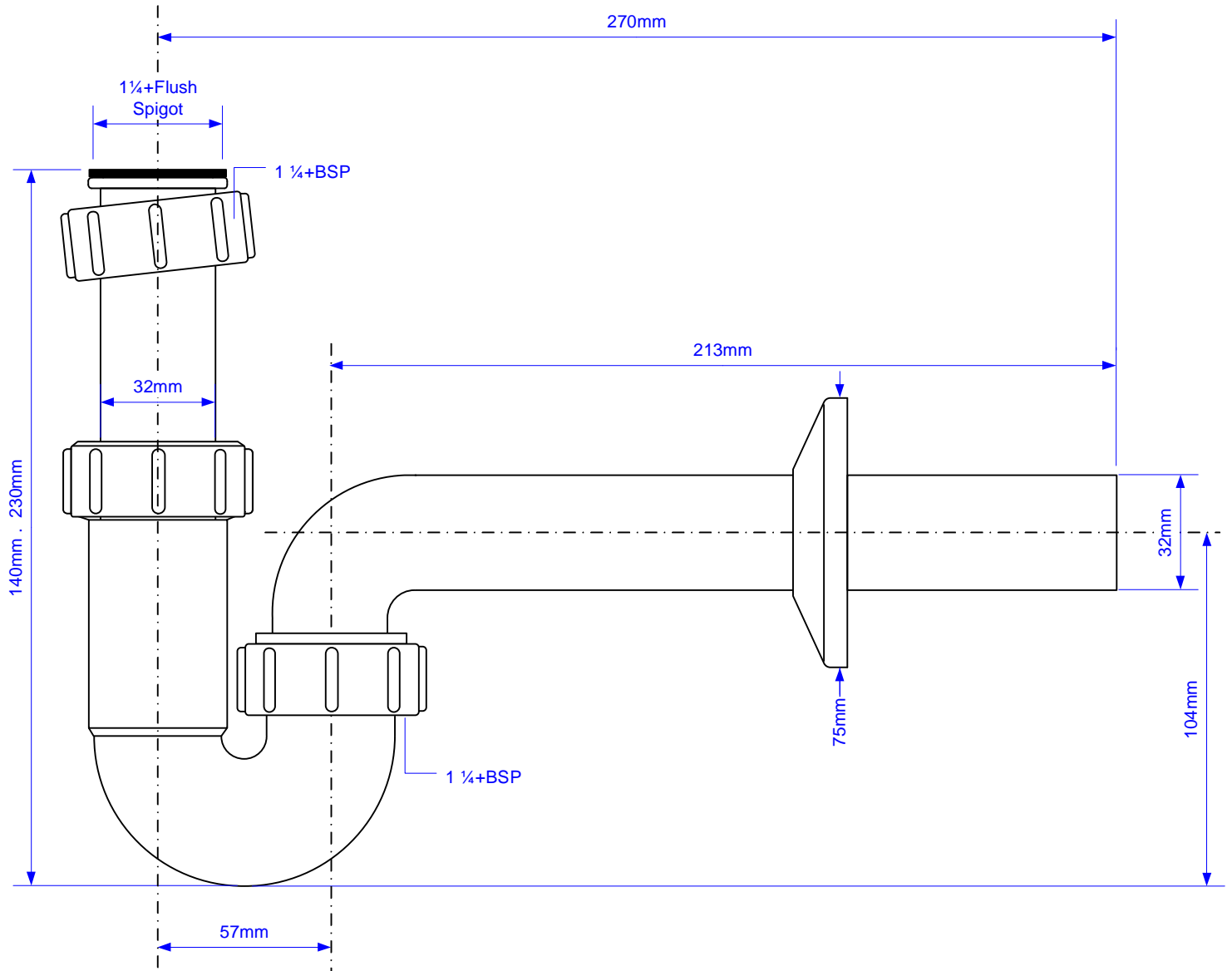


Code:

HC4PF-32

Art. 0888 800 001



Drawing verified
correct as of:

25.08.14
T.C.

DRAWN BY
RM

SCALE
1: 1.75

REVISED

Show Stalk with loose nut (TC)
Add page 2 (14.03.19 TC)

FILENAME

HC4PF-32.VSD

DATE

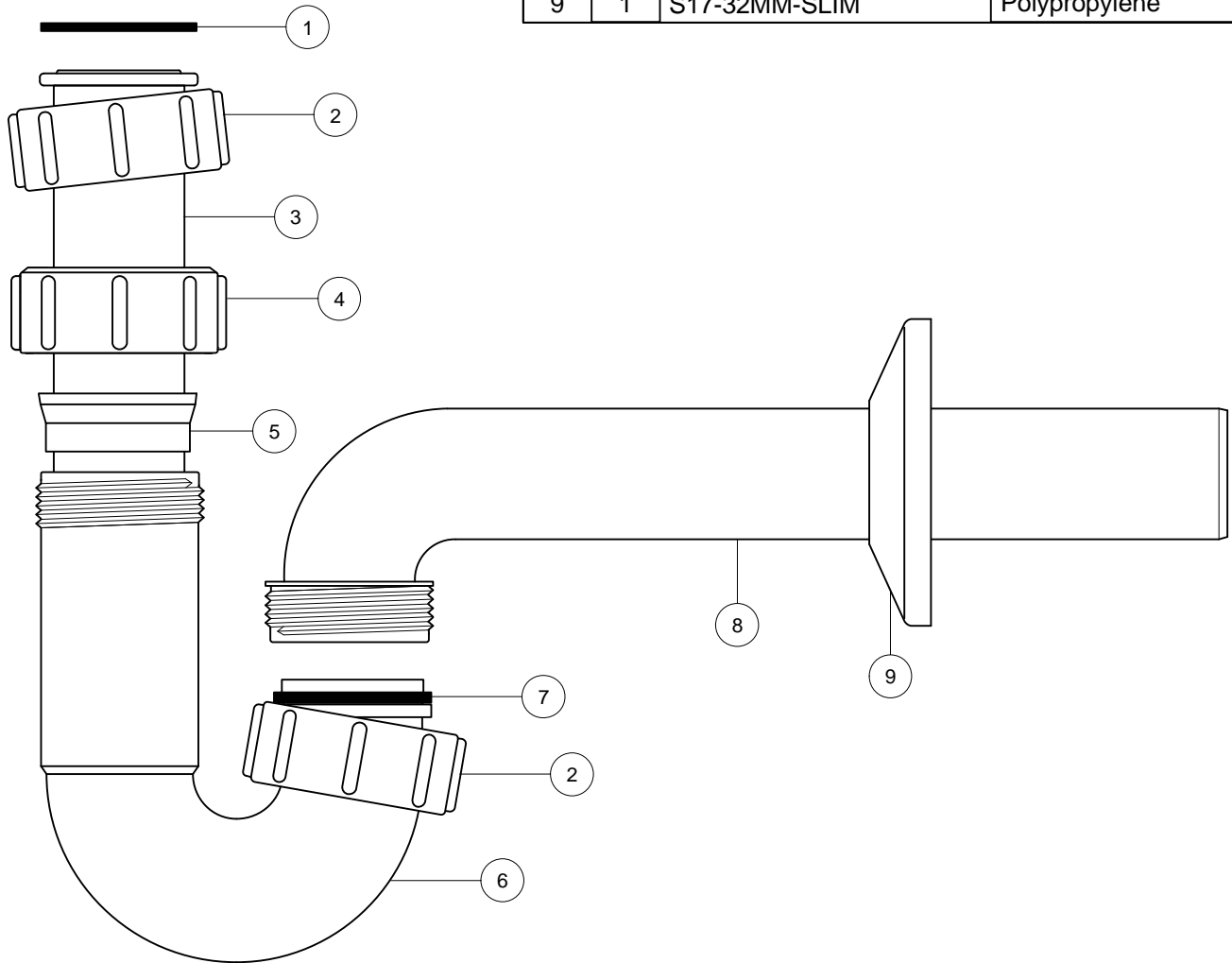
25.08.14

Code:

HC4PF-32

Art. 0888 800 001

No.	Qty	Code	Material
1	1	RW1-ISO	Nitrile
2	2	S8A	Polypropylene
3	1	STALK-C-32MM	Polypropylene
4	1	S8B	Polypropylene
5	1	S13-ISON	TPE
6	1	1.25-ADJ	Polypropylene
7	1	RW1	EPDM
8	1	218106	Polypropylene
9	1	S17-32MM-SLIM	Polypropylene



Drawing verified
correct as of:

25.08.14
T.C.

DRAWN BY
RM
SCALE
1: 1.75

REVISED
Show Stalk with loose nut (TC)
Add page 2 (14.03.19 TC)

FILENAME
HC4PF-32.VSD
DATE
25.08.14