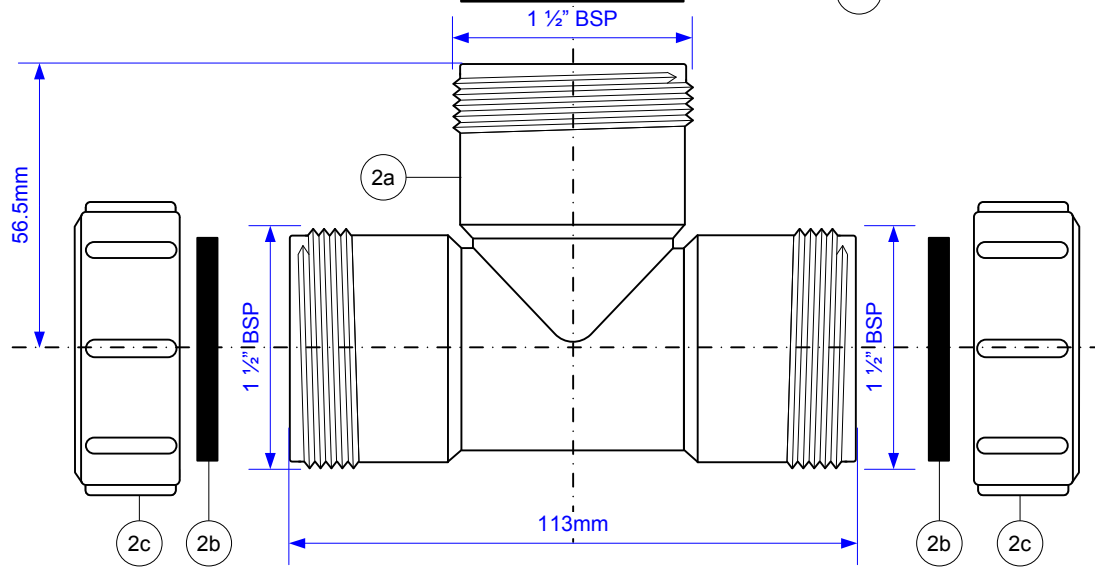
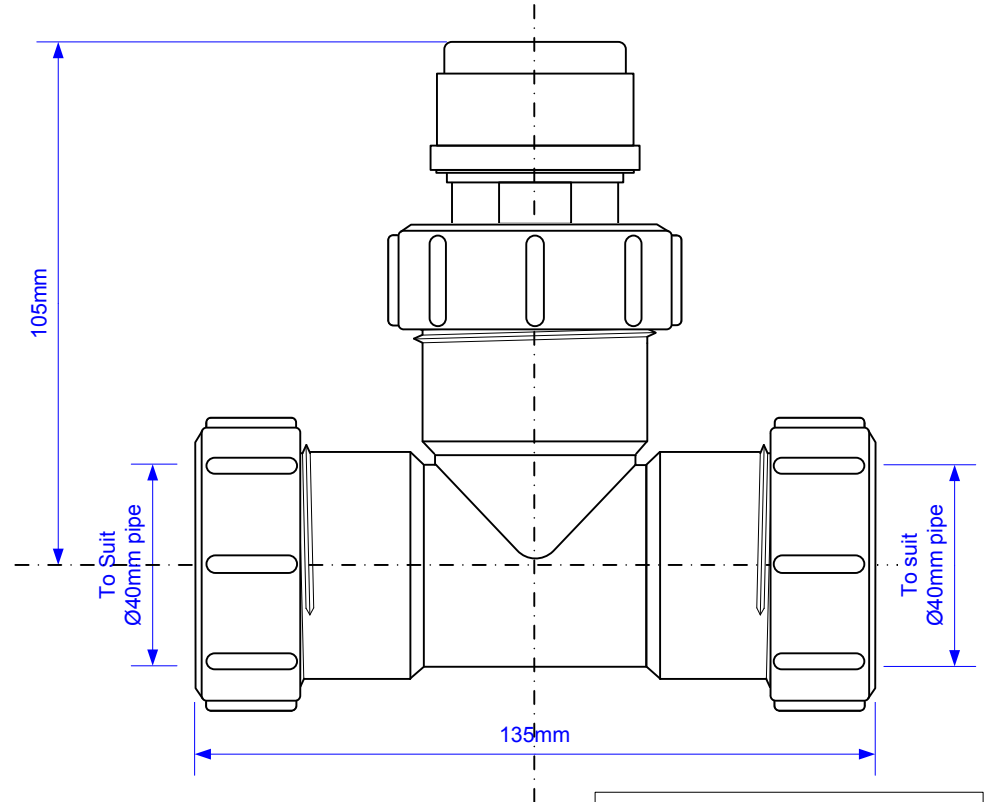
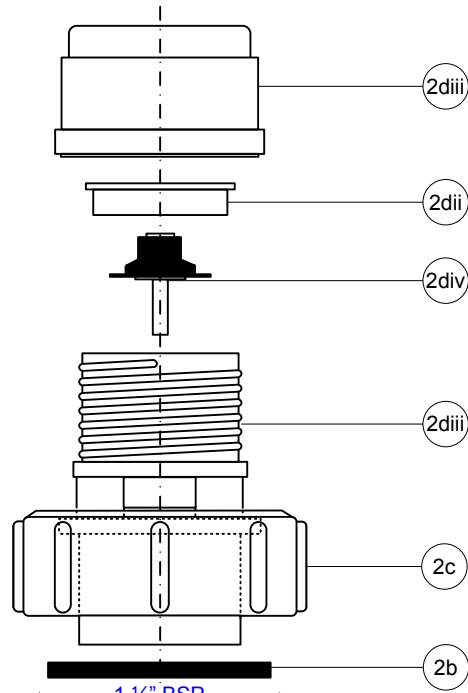


Code:

# VP40T



Part No.	Code
1	P-B-S270X250HMC
2	VP40T-SUB
a	40EBODY-WH
b	40M
c	T8B
d	VP15BODY-PL-WH-GLU
i	GLUING
ii	UNDERLID
iii	VP15BODY-LO-WH
iv	VP15VALVE

Drawing verified  
correct as of:

07/03/2017  
RM

DRAWN BY  
RM  
SCALE  
1: 1.5

REVISED  
23/05/2014, 03/06/2014, 11/03/2015  
07/03/2017

FILENAME  
VP40T.VSD  
DATE  
07/03/2017