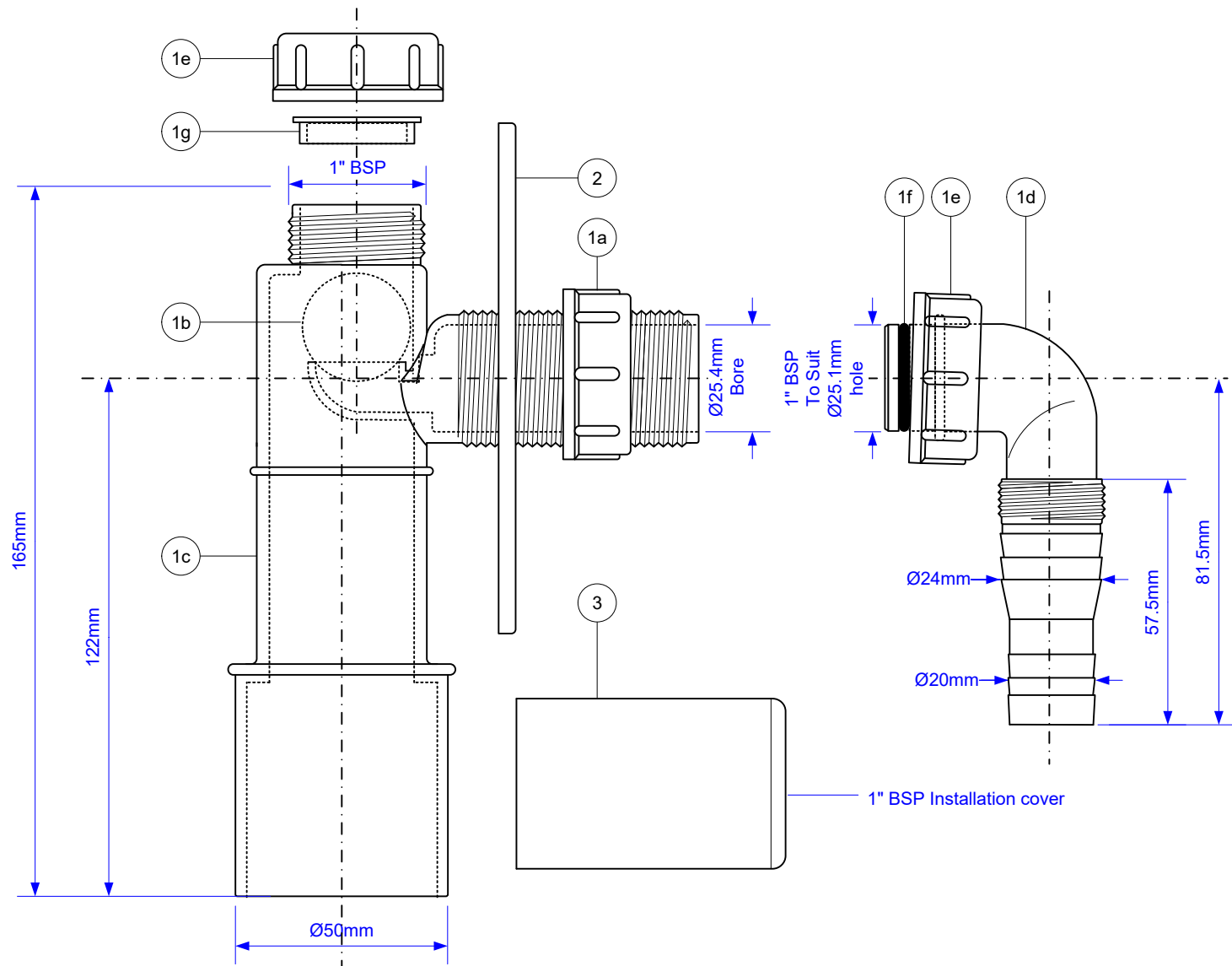


Code:

HCWM50E



Part No.	Code
1	HCWM50E-SUB
a	B/NUTBODY-WM
b	BV1BALLVALVE
c	HCWM50EBODY
d	MA15BDY90-REDA
e	NUT-1.00
f	P-OR-HCWMEXTA
g	UNDERLID
2	P-SS-WMVCOVER
3	WMBVCOVER

Drawing verified correct as of: 28/043/2018
RM

DRAWN BY
RM

REVISED
16/01/2013, 01/04/2015, 28/03/2018

FILENAME
HCWM50E.VSD

SCALE
1: 1.5

DATE
28/03/2018