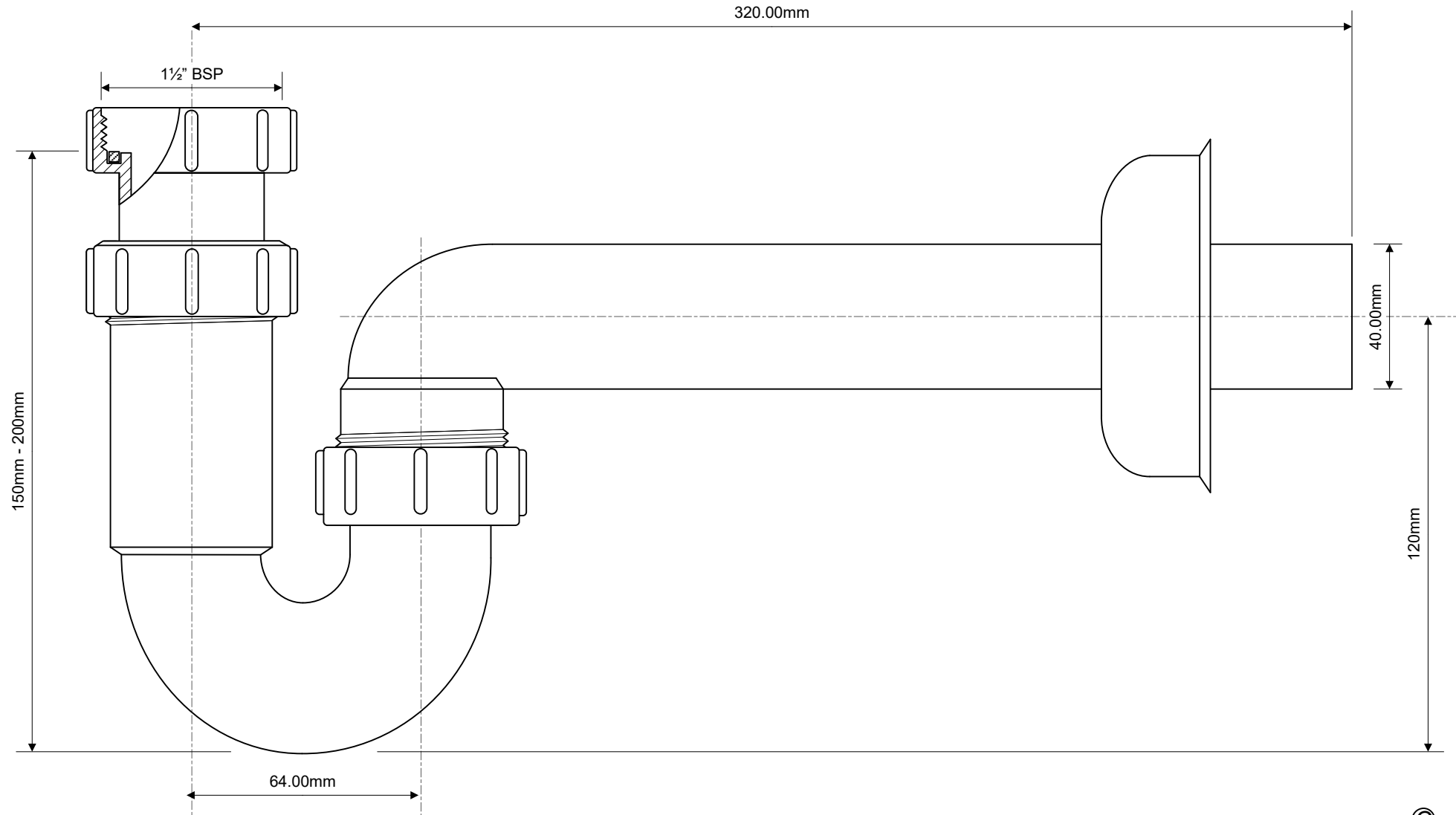


Code:

HC4PF



©

McALPINE

Drawing verified correct as of:

08.11.11  
T.C.

DRAWN BY

TC

REVISED

1-Add pg2 (13.01.21 TC)

FILENAME

HC4PF.VSD

SCALE

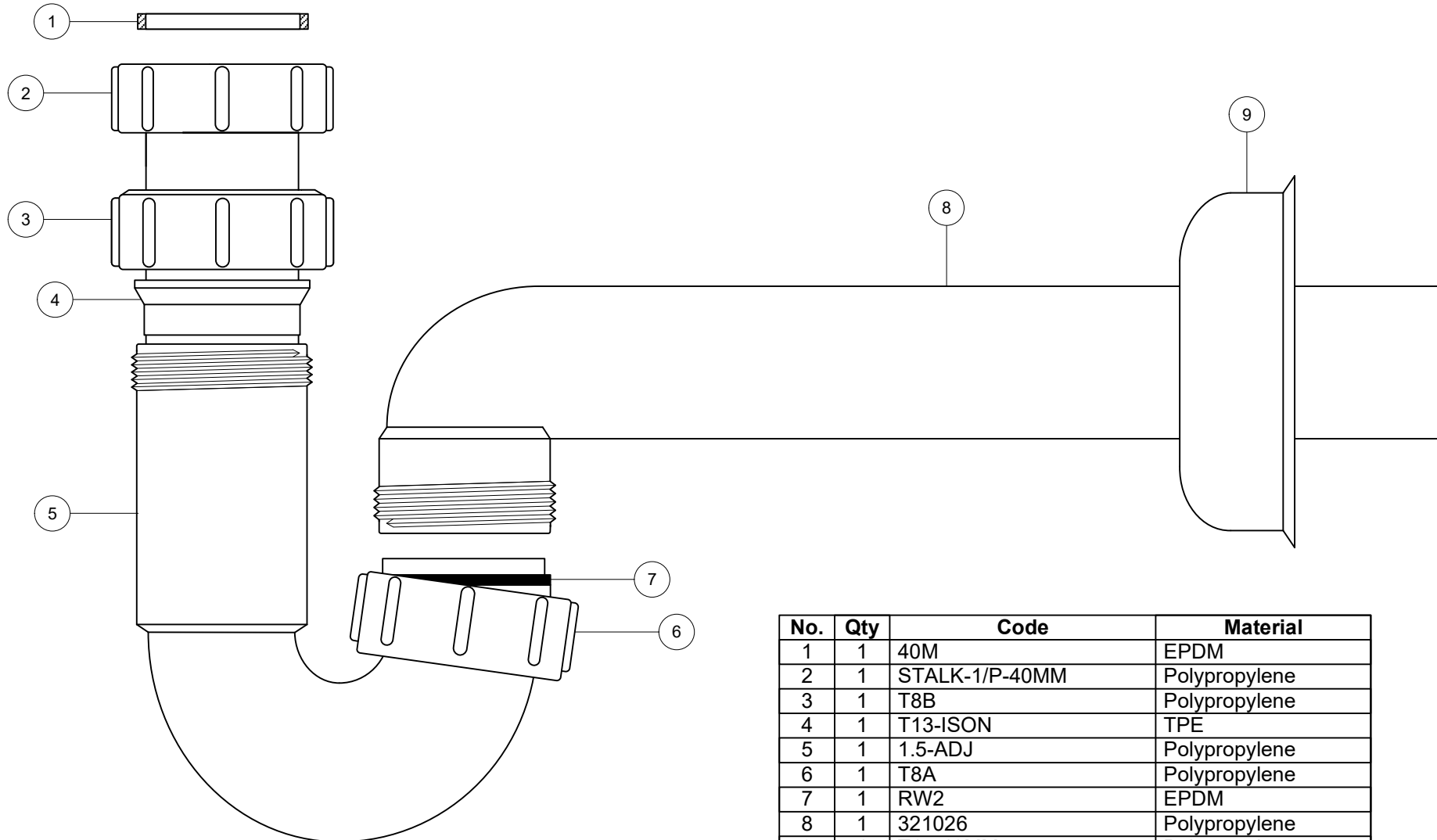
1: 1.55

DATE

08.11.11

**Code:**

**HC4PF**



No.	Qty	Code	Material
1	1	40M	EPDM
2	1	STALK-1/P-40MM	Polypropylene
3	1	T8B	Polypropylene
4	1	T13-ISON	TPE
5	1	1.5-ADJ	Polypropylene
6	1	T8A	Polypropylene
7	1	RW2	EPDM
8	1	321026	Polypropylene
9	1	T17-40MM	Polypropylene

©

McALPINE

Drawing verified correct as of:

08.11.11  
T.C.

DRAWN BY

TC

REVISED

1-Add pg2 (13.01.21 TC)

FILENAME

HC4PF.VSD

SCALE

1: 1.55

DATE

08.11.11