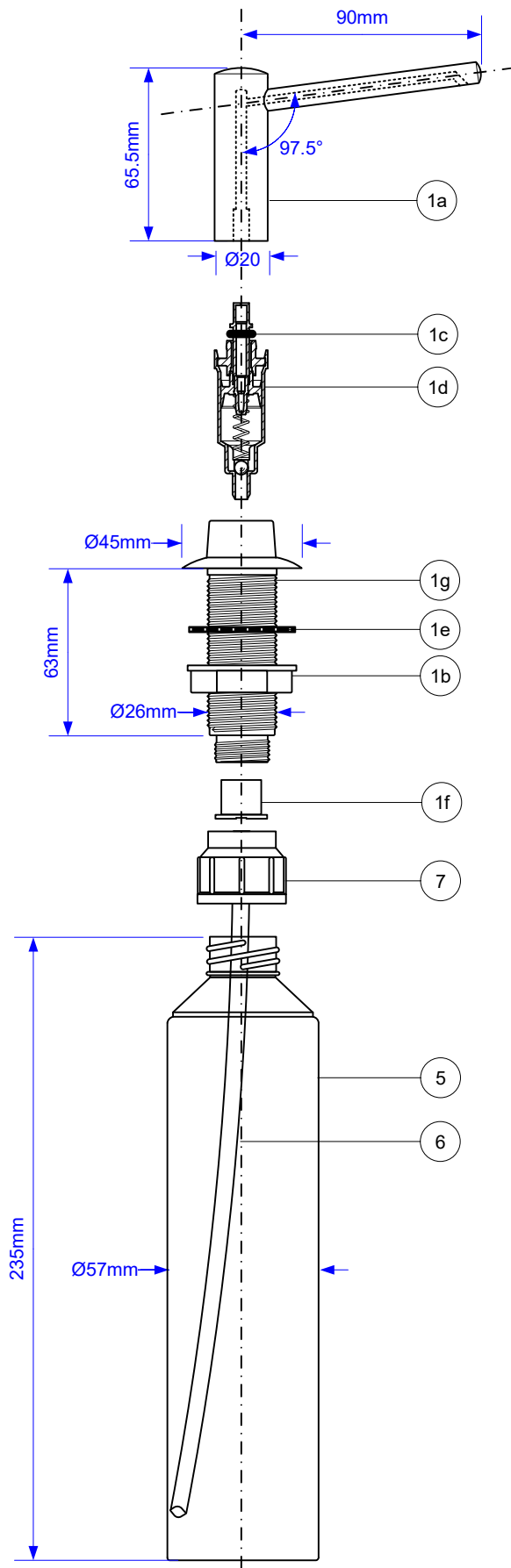


Code:

HC20-CPB

CP Brass



Maximum Clamping
Dimension = 50mm

Part No.	Code	Material
1	HC20-CPB-SUB	
a	NOZZLE-MAC	CP Brass
b	NUT-.75-GR	Polypropylene
c	P-OR-006.00-2.50	Nitrile
d	P-SOAPPUMP	Polyethylene, Stainless Steel, Nitrile
e	P-SP-TAPHOLE40	Polyethylene
f	SOAP-SPACER	Polyethylene
g	SOAPUBTRD-MAC	CP Brass
2	L-SOAP	Leaflet
3	P-C-S1H	Carton
4	P-C-SOAP1-NB	Carton
5	P-SOAPBOTTLE	Polyethylene
6	P-SOAPTUBE-230	Polyethylene
7	SOAP-NUT-GR	Polypropylene

Drawing verified
correct as of:

04/03/2020
RM

DRAWN BY

RM

REVISED

05/01/2012, 24/04/2013
07/12/2018, 01/11/2019
04/03/2020

FILENAME

HC20-CPB.VSD

SCALE

1: 2.5

DATE

04/03/2020