

Code:

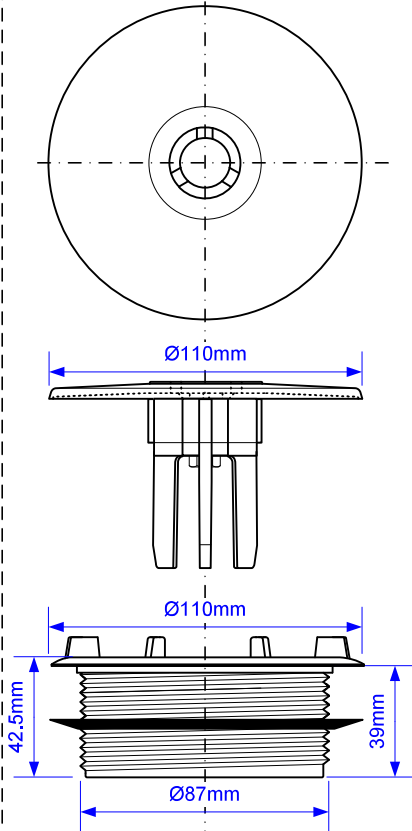
90mm x 50mm Traps

Height = 106mm, Flowrate = 50 l/min



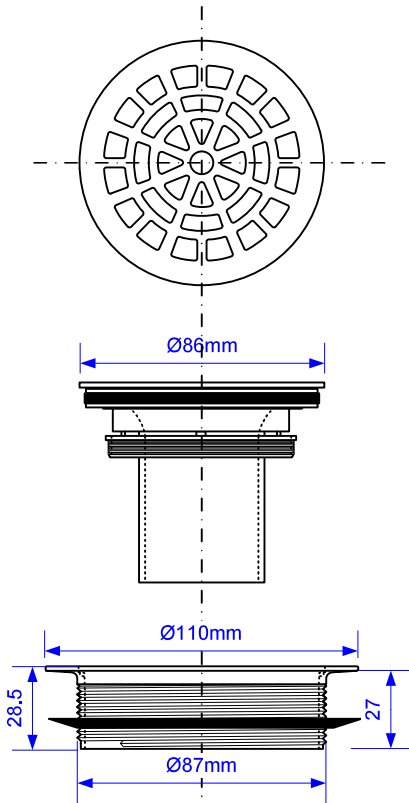
Grid and Flange dimensions for:

ST90CB10-V = HC2750LMECPB-V
ST90CP10-V = HC2750LCP-V
ST90WH10-V = HC2750LWH-V



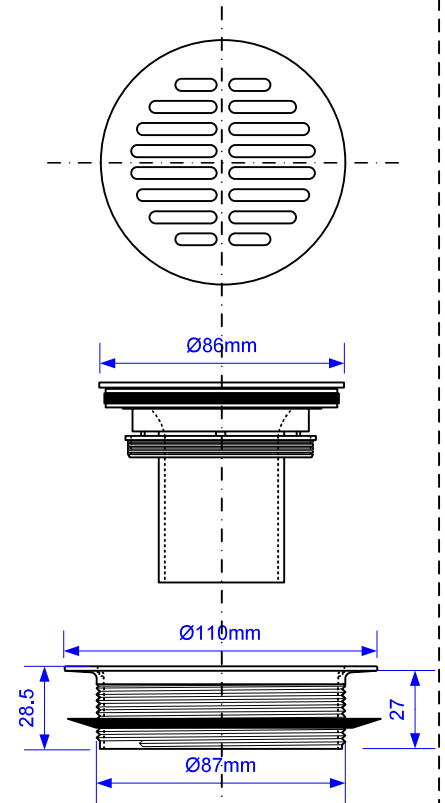
Grid and Flange dimensions for:

ST90CPB-P-V =
HC2750LCPBR-V

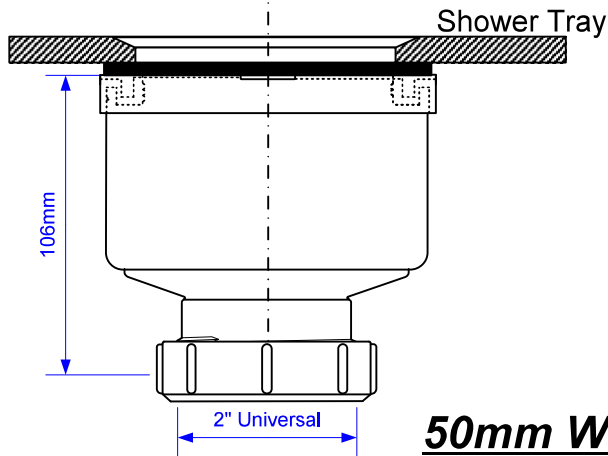


Grid and Flange dimensions for:

ST90CPB-S-V =
HC2750LCPB-V



**Each product
uses this
Trap Body**



50mm Water Seal

Drawing verified
correct as of:

24/08/2017
RM

DRAWN BY
RM
SCALE
1: 2.5

REVISED

FILENAME
ST90XX10-V RANGE.VSD
DATE
24/08/2017