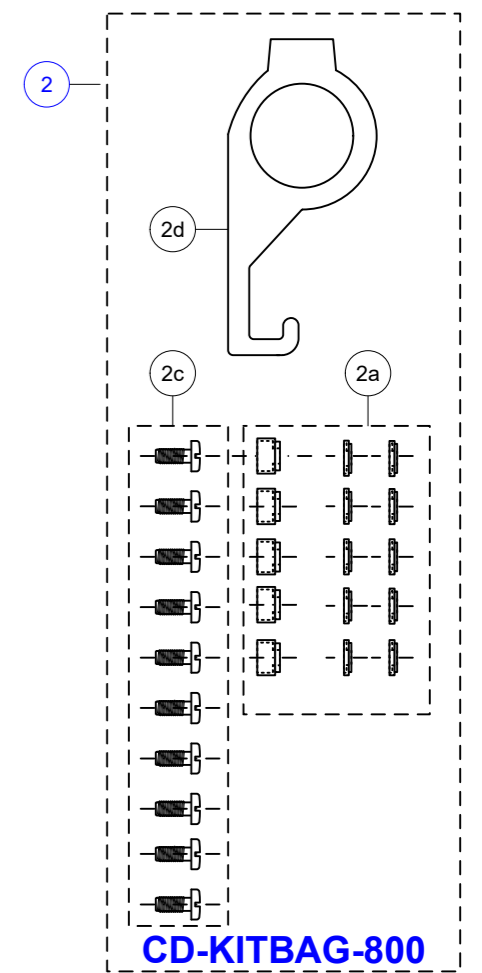
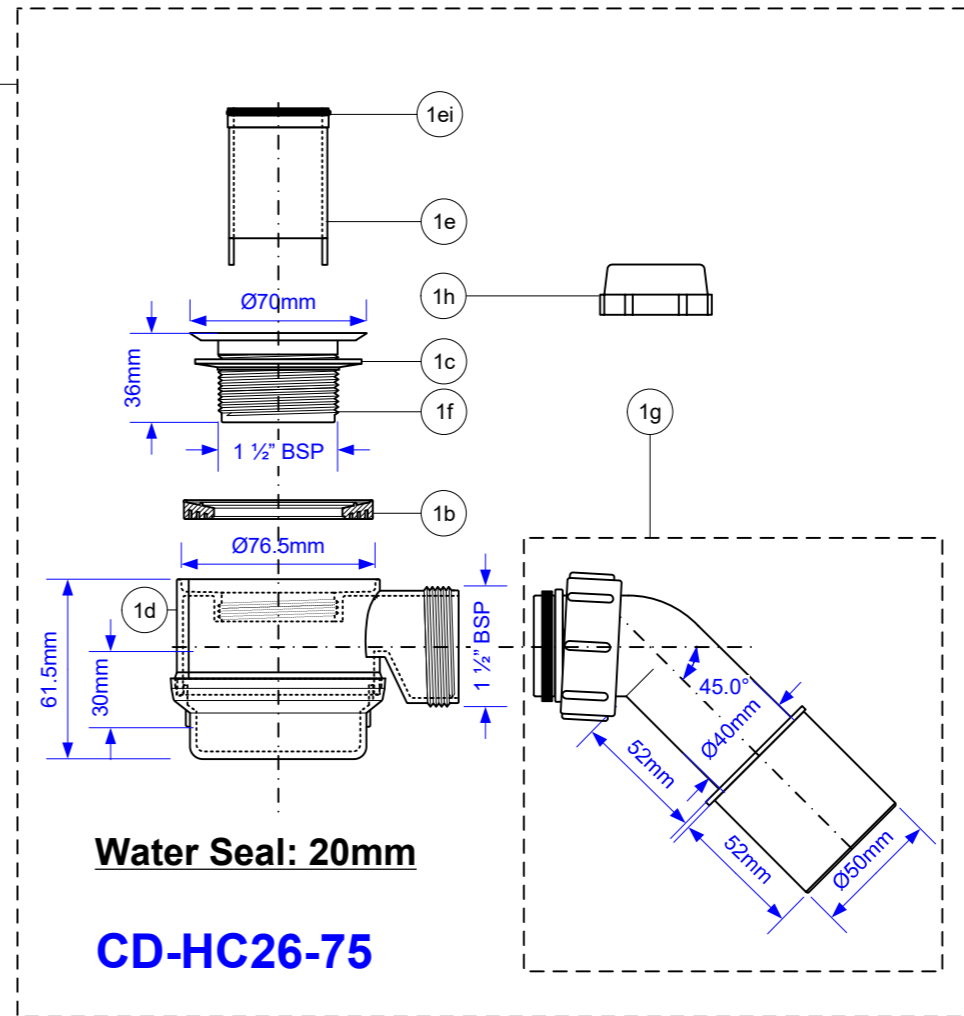
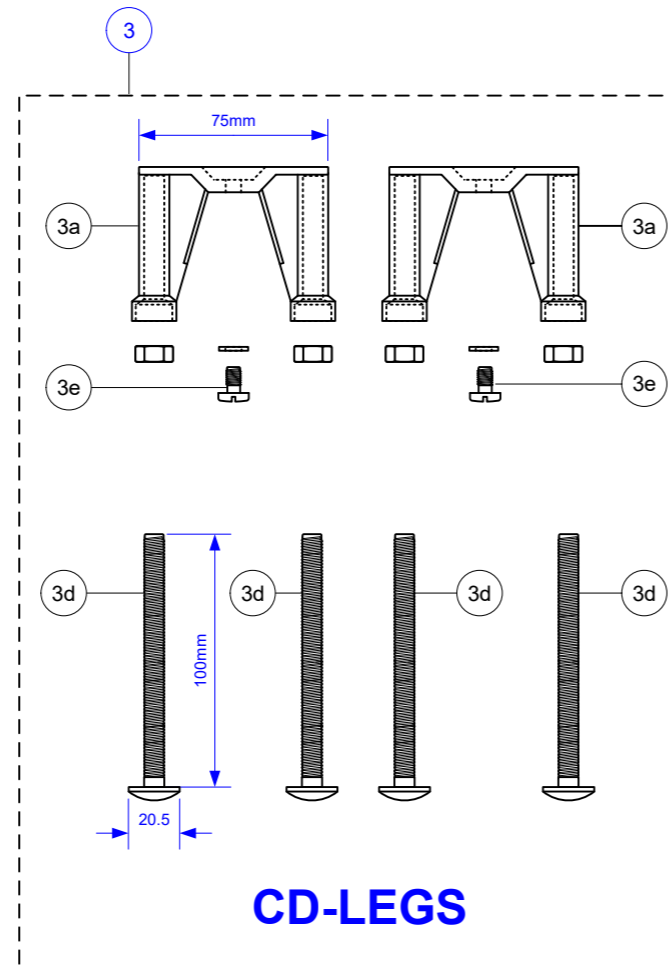
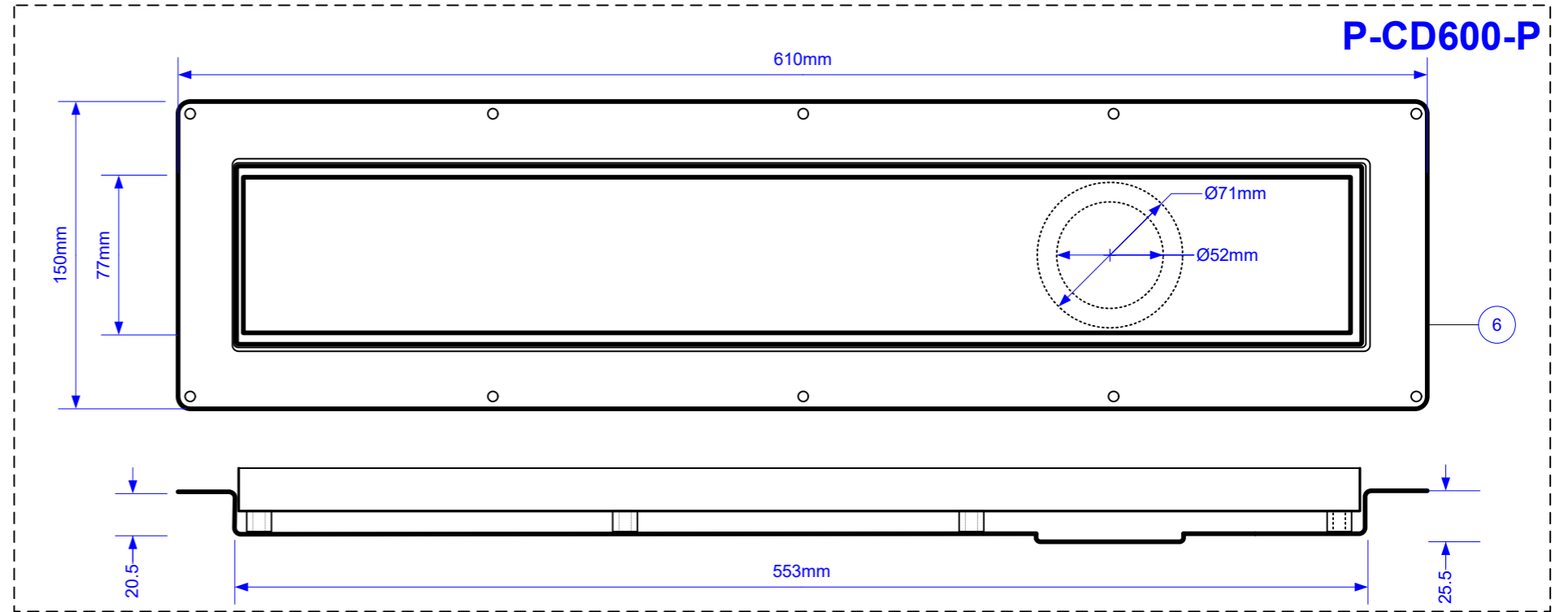


Code:

# CD600-P-75

Part No.	Component Code	Qty
<b>1</b>	<b>CD-HC26-75</b>	<b>1</b>
a	P-B-S270X250MC	1
b	P-RWNEWSTW7.5	1
c	RW-HC31SEAL	1
d	STW30-75MMBDY-SPIN	1
e	STW30-75MMTUBE	1
i	P-OR-SHOWERTRP	1
f	STW70FLANGE-WH	1
g	STWBEND-50-SUB	1
h	STWSPANNER	1
<b>2</b>	<b>CD-KITBAG-800</b>	<b>1</b>
a	CD-SPACERS-2/4	5
b	P-B-6X8 (Plastic Bag)	1
c	P-P/HD-M6X16SS	10
d	TSGHOOK-STEEL	1
<b>3</b>	<b>CD-LEGS</b>	<b>1</b>
a	CD-LEGBODY	2
b	L-CD-LEGS-ENGLISH	1
c	P-B-6X8 (Plastic Bag)	1
d	P-BOLT-M8X100	4
e	P-CPIN-10MMPAN	2
<b>4</b>	<b>L-CD600-ENGLISH</b>	<b>1</b>
<b>5</b>	<b>P-C-CD600-OUT-MCA</b>	<b>1</b>
<b>6</b>	<b>P-CD600-P</b>	<b>1</b>



Drawing verified correct as of:

04/03/2019  
RM

DRAWN BY

SS, RM

REVISED

04/03/2019

FILENAME

CD600-P-75.VSD

SCALE

1 : 3

DATE

04/03/2019