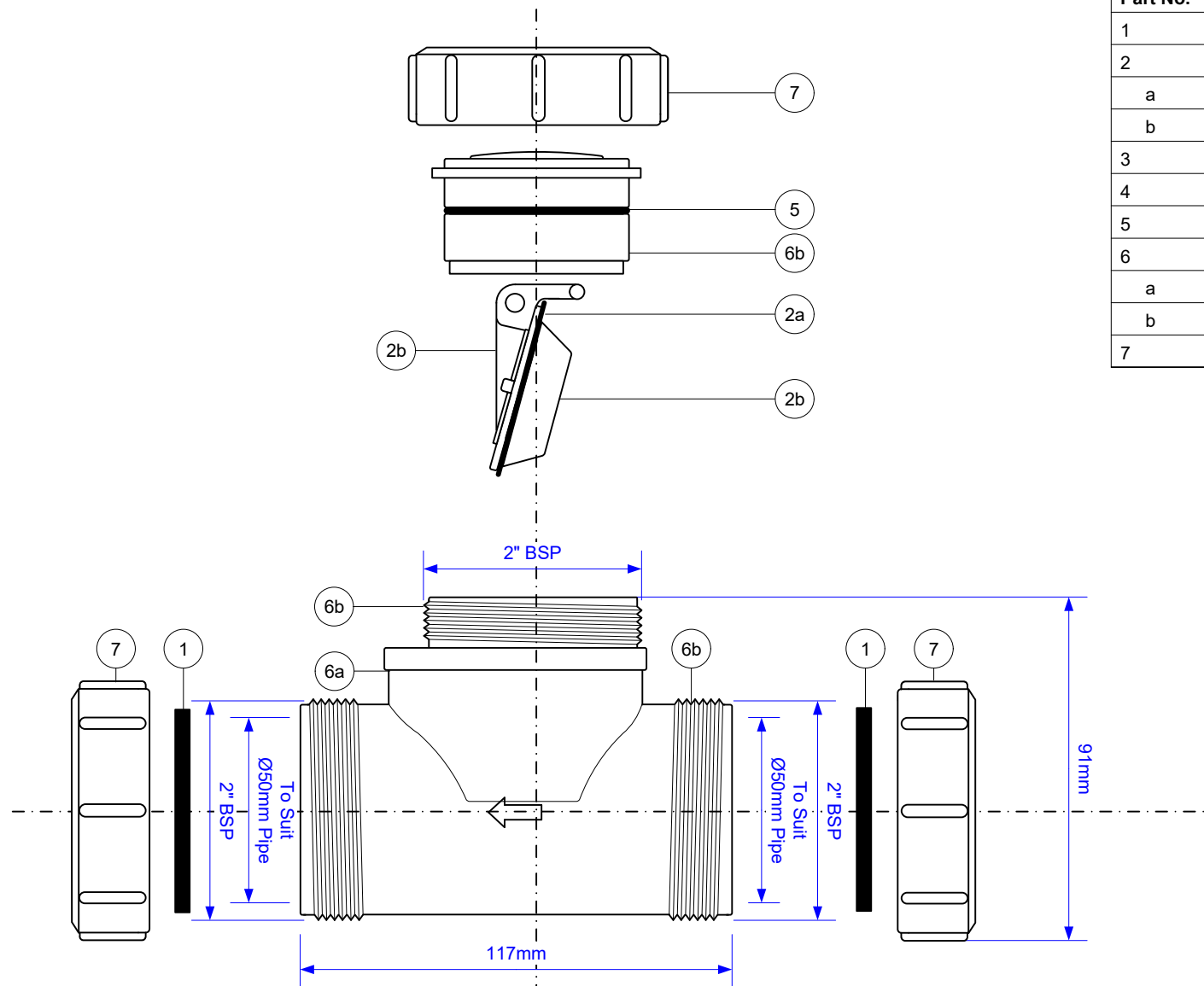


Code:

Z2850-NRV

Part No.	Code
1	50M
2	CAR+DIA-Z28M
a	P-RW-Z28MNRV
b	Z28MNRVCARRIER
3	P-B-S270X250HMC (Plastic Bag)
4	P-C-P1H (Carton)
5	P-OR-039.00-2.50
6	Z2850NRVBODY-GLUED
a	GLUING
b	Z2850NRVBODY (3 parts)
7	Z8B



Drawing verified correct as of:

07/12/2018
RM

DRAWN BY

RM

REVISED

03/07/2013, 27/05/2014, 13/07/2015
11/10/2016, 29/09/2017, 07/12/2018

FILENAME

Z2850-NRV.VSD

DATE

07/12/2018

SCALE

1: 1.75