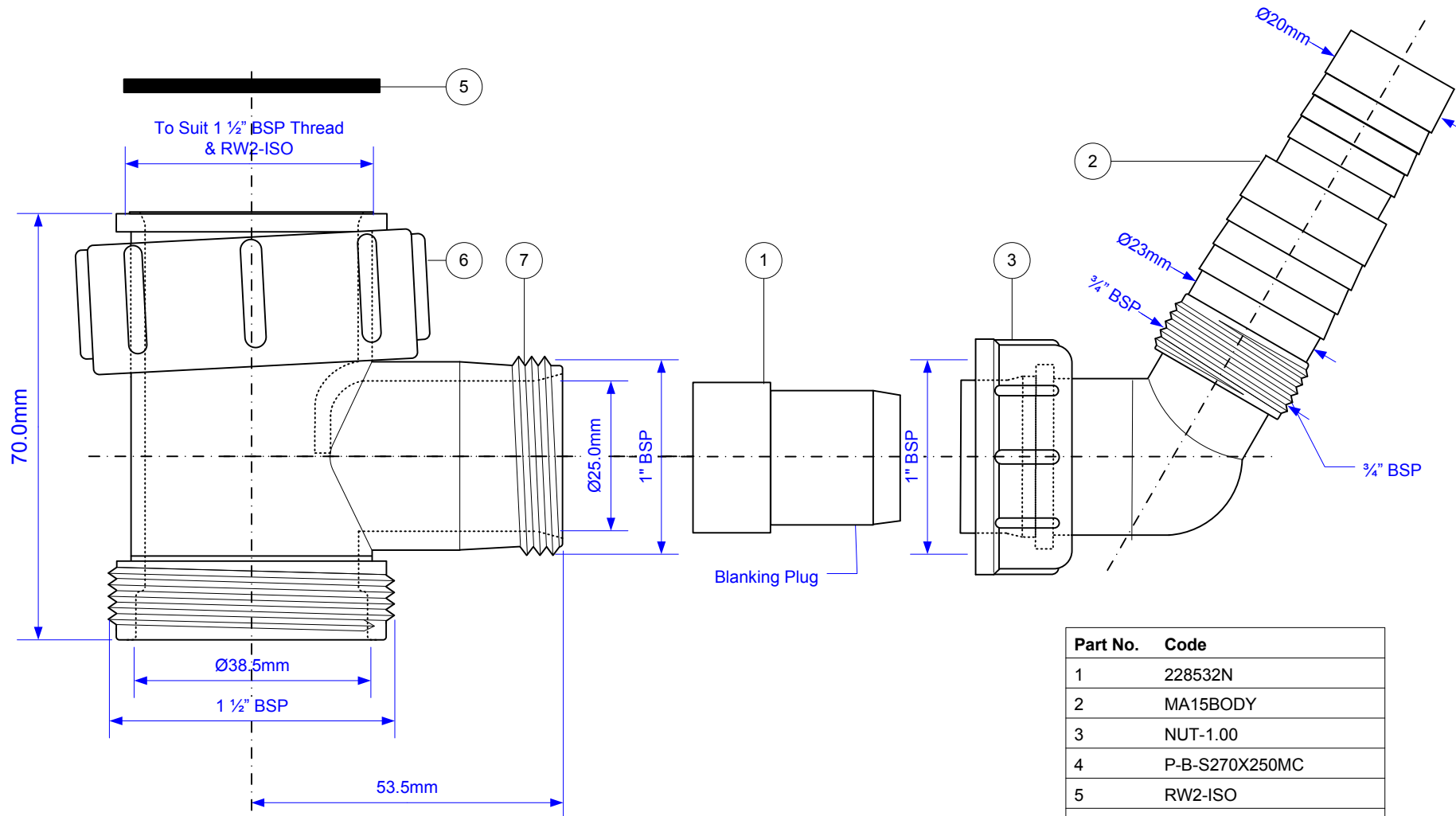


Code:

V33S-FLUSH



Part No.	Code
1	228532N
2	MA15BODY
3	NUT-1.00
4	P-B-S270X250MC
5	RW2-ISO
6	T8A
7	V33SBODY-FLUSH

©
McALPINE

Drawing verified correct as of:

23/10/2014
RM

DRAWN BY

RM

SCALE

1: 1

REVISED

1-V33S adapted for this drawing TC
2-Amend MA15 thread size (TC 15.07.14)
3. Update V33SBODY-FLUSH (RM)

FILENAME

V33S-FLUSH.VSD

DATE

23/10/2014