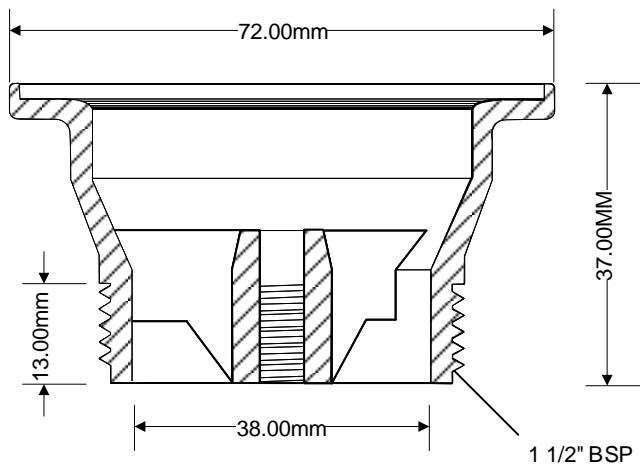
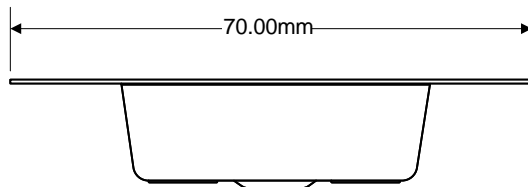
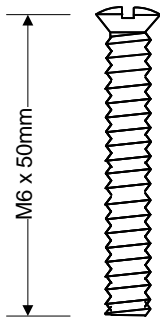
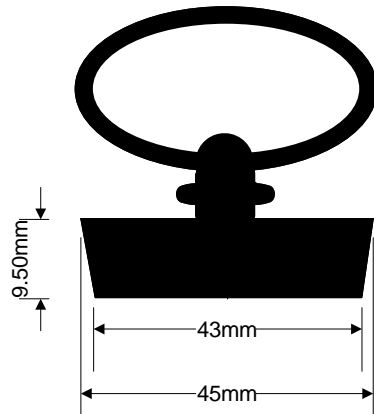


Code:

HC15

Art. 0888 800 513



©

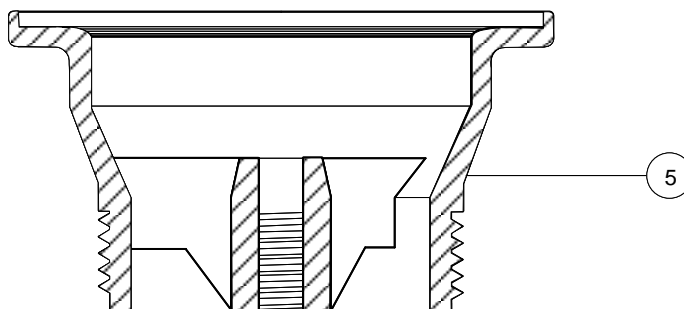
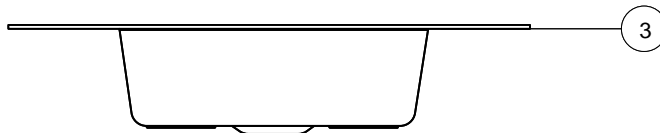
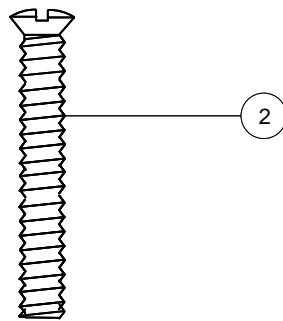
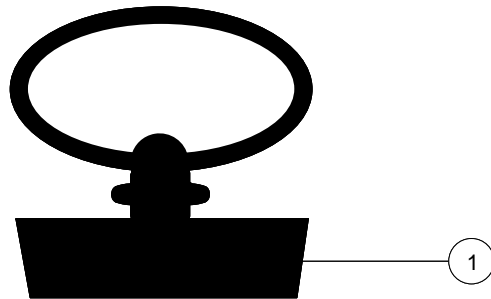
McALPINE

**Code:**

**HC15**

**Art. 0888 800 513**

No.	Qty	Code	Material
1	1	BP4H	PVC
2	1	P-CPIN-50MM	Stainless Steel
3	1	P-F-70P-BA	Stainless Steel
4	1	RWW6	EPDM
5	1	226028	Polypropylene



©

**McALPINE**

Drawing verified  
correct as of:

15/02/18  
L.Lister

DRAWN BY  
LL

REVISED  
1 – Add page 2 (LL)

FILENAME  
HC15.VSD

SCALE  
1: 1

DATE  
15.02.18