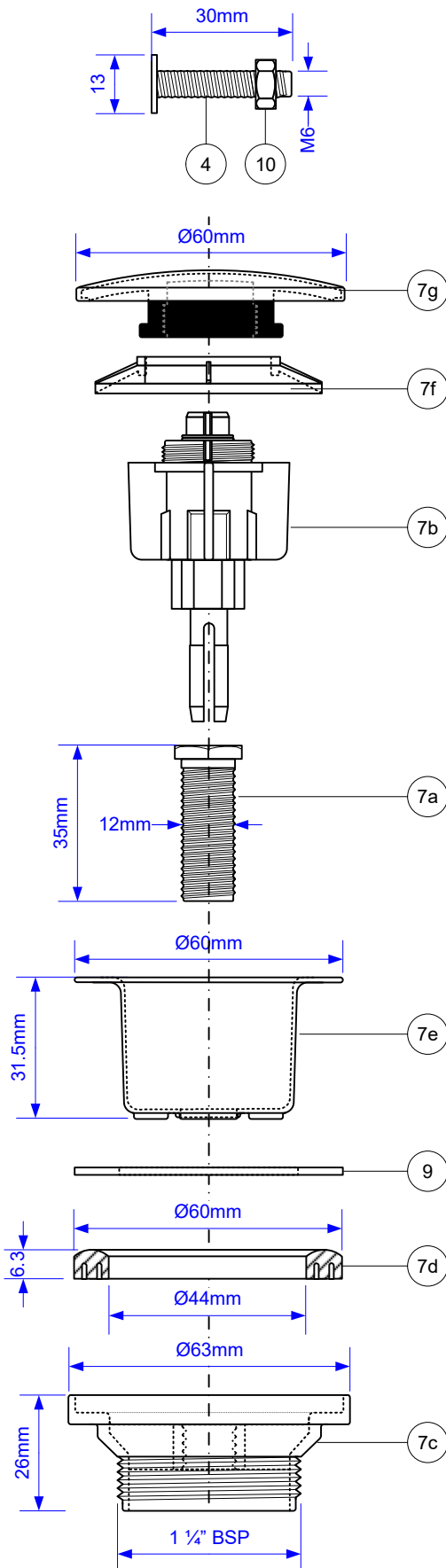


Code:

# CWP60-SS

Stainless Steel Dome



## Without Using Spacer

Minimum Basin Thickness = 23mm

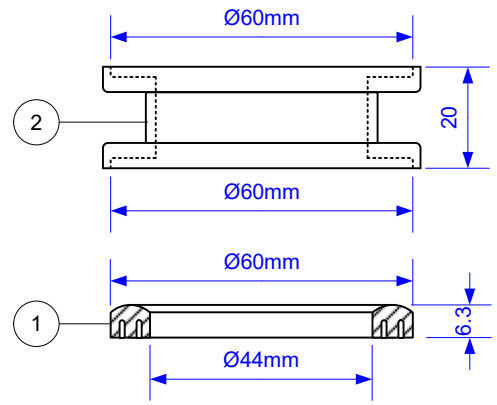
Maximum Basin Thickness = 45mm

## When Using Spacer

Minimum Basin Thickness = 0mm

Maximum Basin Thickness = 23mm

## Spacer and Seal for use with thinner basins



Part No.	Code
1	CWP60SEAL
2	CWP60SPACER
3	L-CWP60-SS (Leaflet)
4	M6X30MM PLUG
5	P-C-CWP60 (Carton)
6	P-C-S1Q (Carton)
7	P-CWP60-SS
a	BSWFERRULE-32
b	CLICKERSWITCHCN
c	CWP60BODY-CPB
d	CWP60SEAL
e	P-F-60MINI-1.2
f	P-RW-CLICK SEAL
g	P-SS-CHK60-CWP
8	P-L-CWP60-SS (Label)
9	P-SPW-60MM
10	P-SS-6MMHEXNUT

Drawing verified correct as of:

03/02/2020  
RM

DRAWN BY

RM

SCALE

1: 1.5

REVISED

04/03/2013, 17/04/2013, 08/08/2013

04/11/2014, 28/04/2017, 30/05/2018

14/03/2019, 03/02/2020

FILENAME

CWP60-SS.VSD

DATE

03/02/2020